

Tel: (800) 800-DOVE (3683)
 Local: (707) 556-DOVE (3683)
 Fax No.: (707) 556-1920
 Web: www.drawer.com



Mail: P.O. Box 1592
 Vallejo, Calif. 94590
 Ship: 1155 Nimitz Ave.
 Vallejo, Calif. 94592

Western Dovetail Quote / Order Form

| | | | |
|------------------|--|---------------|---------------------------|
| Company Name | Shipping address if different than business address: | Name | Date |
| Business Address | | Email address | Delivery Date Required |
| | | Phone | P.O.# |
| | | Fax | Reference WEB10 |

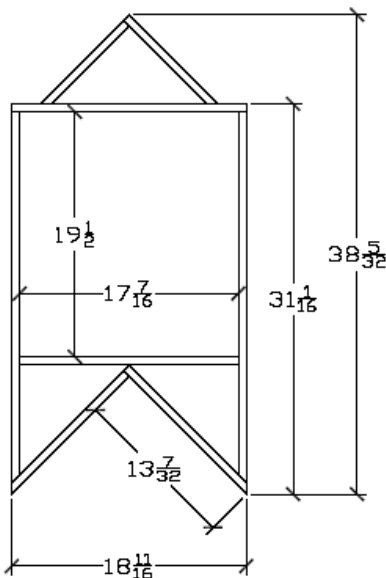
Grade: Natural Select Premium Please describe details in notes column.

| Material | Thick | Assem | Finish | Top Edge | Bottom | Thick | Recess | Custom Options | |
|---|-------------------------------|------------------------------|------------------------------|---------------------------------------|---|-------------------------------|--|---|--|
| <input type="checkbox"/> Hard Maple | <input type="checkbox"/> 5/8" | <input type="checkbox"/> Yes | <input type="checkbox"/> Yes | <input type="checkbox"/> Radius | <input type="checkbox"/> Maple | <input type="checkbox"/> 3/8" | <input type="checkbox"/> 1/2" | <input type="checkbox"/> Pull-outs | |
| <input type="checkbox"/> Soft Maple | <input type="checkbox"/> 1/2" | <input type="checkbox"/> No | <input type="checkbox"/> No | <input type="checkbox"/> Flush | <input type="checkbox"/> Melamine | <input type="checkbox"/> 1/4" | <input type="checkbox"/> 3/8" | <input type="checkbox"/> File Drawers | |
| <input type="checkbox"/> Pre-Finished 9-ply Birch (1/2" thick only) | | | | <input type="checkbox"/> Flush Offset | <input type="checkbox"/> Birch | <input type="checkbox"/> 1/2" | <input type="checkbox"/> 1/4" | <input type="checkbox"/> Dividers & Grooves | |
| <input type="checkbox"/> Other (please specify) | | | | | <input type="checkbox"/> Other (please specify) | | <input type="checkbox"/> Quote all Drawer slides on this order | | |

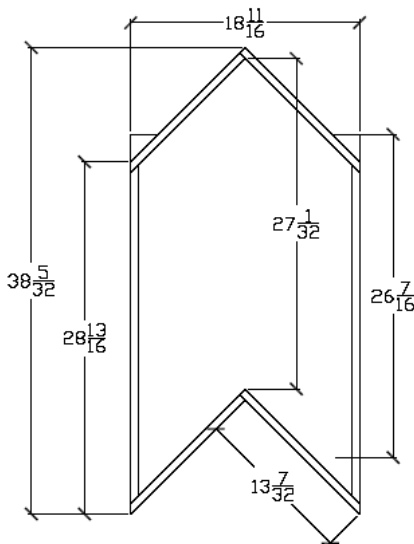
Under-Mount Hardware Notch Drill Install Clips Drawer Slide Model #

| # | Qty | Height | Back Width | Slide Length | TYPE | Notes: Dividers, angles and special details. |
|---|-----|--------|------------|--------------|------|--|
| 1 | | | | | | |
| 2 | | | | | | |
| 3 | | | | | | |
| 4 | | | | | | |
| 5 | | | | | | |

TYPE I STANDARD CORNER DRAWER



TYPE II CHEVRON CORNER DRAWER



TYPE III CUSTOM CORNER DRAWER

